

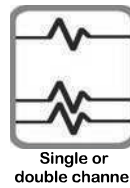
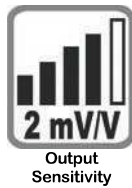
- Made of stainless steel
- Single or double channel version
- Electrical connection with 5 m shielded cable: 4xAWG24 for the single channel and 6xAWG26 for double channel

On request:

- Special finishes and materials
- Load cell amplifier (to be ordered separately): BPE «ADS-200 MkII» series

*Typical fields of application: Normally used to measure the load in aerial basket/work platform cages and generic mobile machines*

**Note: the user/installer is responsible for evaluating the values and, thus, the safety of the application**



### Technical data

Power supply	from 0 to 15 V <sub>DC</sub>
Output	2.0 mV/V
Nominal load	1000 daN
Linearity, repeatability, hysteresis	± 1% FS
Zero offset	± 1% FS
FS and zero temperature coefficient	0.008 <sup>(1)</sup> %FS / °C
Insulation	> 5 GΩ @ 15 V <sub>DC</sub>
Input and output resistance	350 Ω
Safe overload	150%
Ultimate load	300%
Operating temperature	from -20 to +70 °C
Maximum weight	0.9 kg
Housing material	Stainless steel
Standard protection grade	IP67
CE conformity	EMC Directive: 2014/30/UE
EMC: Immunity   Emission	EN 61000-6-2   EN 61000-6-3
Maximum number of mechanical cycles	1x10 <sup>6</sup> cycles

<sup>(1)</sup> Between -10 °C and +40 °C

### Ordering Code

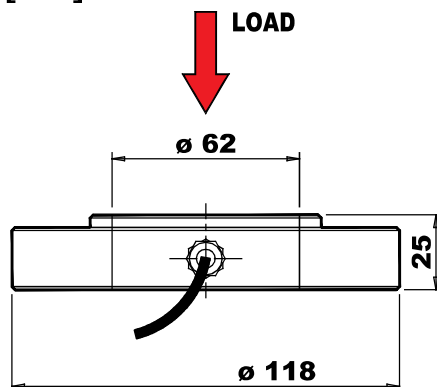
TAN	01000	D	118	62	25	4D04	2	1PF7	L05000	NOT	CC5
Transducer type	Nominal load	Channels	Outer diameter	Inner diameter	Height	Holes	Housing material	Cable gland	Cable length	Custom configuration	Electrical connection

Nominal load	0 1 0 0 0	1000 daN
Channels	S	Single channel
	D	Double channel
Outer diameter	1 1 8	Expressed in millimeters
Inner diameter	6 2	Expressed in millimeters
Height	2 5	Expressed in millimeters
Holes	4 D 0 4	Four 4.5 mm holes
Housing material	2	Stainless steel
Cable gland	1 M 8	One M8 cable gland (for single channel version)
	1 P F 7	One thread PG7 cable gland (for double channel version)
Cable length	L 0 5 0 0 0	5 m standard cable length
Custom configuration	N O T	Not amplified signal
Electrical connection	c a b	Electrical wiring harness code (see on the right)

Electrical connections	
Code: <b>CCF</b> single channel	
Red	: Positive Supply
Black	: Negative Supply
Yellow or Green	: Signal -
White	: Signal +
Shield	: Not connected
Code: <b>CC5</b> double channel	
Red	: Positive Supply
Blue	: Negative Supply
Green	: Signal 1-
Yellow	: Signal 1+
Black	: Signal 2-
White	: Signal 2+
Shield	: Not connected

Custom configurations are available on request.

### Dimensions [mm]



load cell fixing holes  
n° 4  $\phi$  4.5

