

- Outer diameter 35 mm
- Made of stainless steel
- Single channel version with 4xAWG24 3.0 m shielded cable
- Double channel version, suitable for PL d (EN13849-1) systems, with 8xAWG24 1.5 m cable on M12 connector

On request:

- Special finishes and materials
- Load cell amplifier (to be ordered separately): BPE «ADS-200 MkII» series

*Typical fields of application: Normally used to measure the load in winches and generic mobile machines*

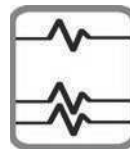
**Note: the user/installer is responsible for evaluating the values and, thus, the safety of the application**



Output Sensitivity



Protection Grade IP67



Single or double channel

### Technical data

Power supply	from 0 to 15 V <sub>DC</sub>
Output	2.0 mV/V
Nominal load	1500 / 2500 / 5000 daN
Linearity, repeatability, hysteresis	± 1% FS
Zero offset	± 1% FS
FS and zero temperature coefficient	0.008 <sup>(1)</sup> %FS / °C
Insulation	> 5 GΩ @ 15 V <sub>DC</sub>
Input and output resistance	350 Ω
Safe overload	150%
Ultimate load	300%
Operating temperature	from -20 to +70°C
Maximum weight	0.3 kg
Housing material	stainless steel
Standard protection grade	IP67
CE conformity	EMC Directive: 2014/30/EU
EMC: Immunity   Emission	EN 61000-6-2   EN 61000-6-3
Maximum number of mechanical cycles	1x10 <sup>6</sup> cycles

<sup>(1)</sup> Between -10 °C and +40 °C

### Ordering Code

	TC35	02500	S	H16	2	1M6	L03000	NOT	CCF																		
	Transducer type	Nominal load	Channels	Height	Housing material	Cable gland	Cable length	Custom configuration	Electrical connection																		
Nominal load	<table border="1"><tr><td>0</td><td>1</td><td>5</td><td>0</td><td>0</td></tr><tr><td>0</td><td>2</td><td>5</td><td>0</td><td>0</td></tr><tr><td>0</td><td>5</td><td>0</td><td>0</td><td>0</td></tr></table>	0	1	5	0	0	0	2	5	0	0	0	5	0	0	0	<table border="1"><tr><td>1500 daN</td></tr><tr><td>2500 daN</td></tr><tr><td>5000 daN</td></tr></table>	1500 daN	2500 daN	5000 daN							
0	1	5	0	0																							
0	2	5	0	0																							
0	5	0	0	0																							
1500 daN																											
2500 daN																											
5000 daN																											
Channels	<table border="1"><tr><td>S</td></tr><tr><td>D</td></tr></table>	S	D		<table border="1"><tr><td>Single channel</td></tr><tr><td>Double channel</td></tr></table>	Single channel	Double channel																				
S																											
D																											
Single channel																											
Double channel																											
Height	<table border="1"><tr><td>H</td><td>1</td><td>6</td></tr></table>	H	1	6		<table border="1"><tr><td>16.0 mm</td></tr></table>	16.0 mm																				
H	1	6																									
16.0 mm																											
Housing material	<table border="1"><tr><td>2</td></tr></table>	2		<table border="1"><tr><td>Stainless steel</td></tr></table>	Stainless steel																						
2																											
Stainless steel																											
Cable gland	<table border="1"><tr><td>1</td><td>M</td><td>6</td><td>_</td></tr><tr><td>N</td><td>O</td><td>T</td><td>_</td></tr></table>	1	M	6	_	N	O	T	_		<table border="1"><tr><td>With M6 cable gland (single channel version)</td></tr><tr><td>Without cable gland (double channel version)</td></tr></table>	With M6 cable gland (single channel version)	Without cable gland (double channel version)														
1	M	6	_																								
N	O	T	_																								
With M6 cable gland (single channel version)																											
Without cable gland (double channel version)																											
Cable length	<table border="1"><tr><td>L</td><td>0</td><td>3</td><td>0</td><td>0</td><td>0</td></tr><tr><td>L</td><td>0</td><td>1</td><td>5</td><td>0</td><td>0</td></tr></table>	L	0	3	0	0	0	L	0	1	5	0	0		<table border="1"><tr><td>Single channel: 3.0 m cable length</td></tr><tr><td>Double channel: 1.5 m cable length (M12 connector)</td></tr></table>	Single channel: 3.0 m cable length	Double channel: 1.5 m cable length (M12 connector)										
L	0	3	0	0	0																						
L	0	1	5	0	0																						
Single channel: 3.0 m cable length																											
Double channel: 1.5 m cable length (M12 connector)																											
Custom configuration	<table border="1"><tr><td>N</td><td>O</td><td>T</td></tr></table>	N	O	T		<table border="1"><tr><td>Not amplified signal</td></tr></table>	Not amplified signal																				
N	O	T																									
Not amplified signal																											
Electrical connection	<table border="1"><tr><td>c</td><td>a</td><td>b</td></tr></table>	c	a	b		<table border="1"><tr><td>Electrical wiring harness code (see on the right)</td></tr></table>	Electrical wiring harness code (see on the right)																				
c	a	b																									
Electrical wiring harness code (see on the right)																											

Custom configurations are available on request.

**Electrical connections**

Code: **CCF** single channel

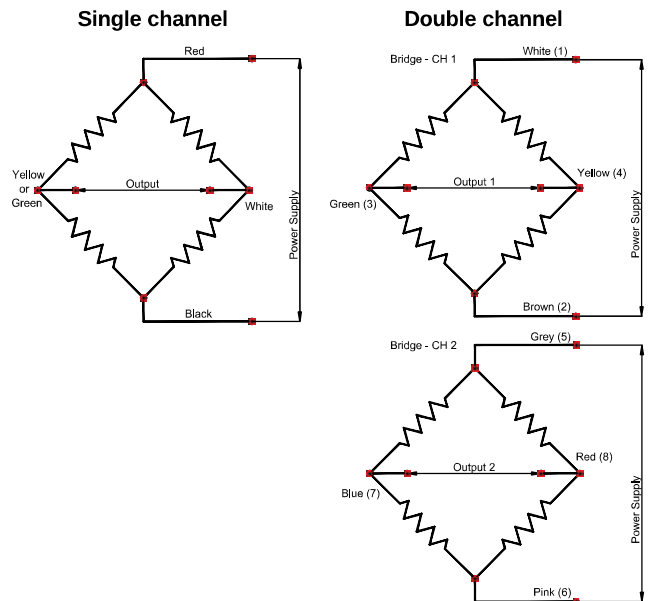
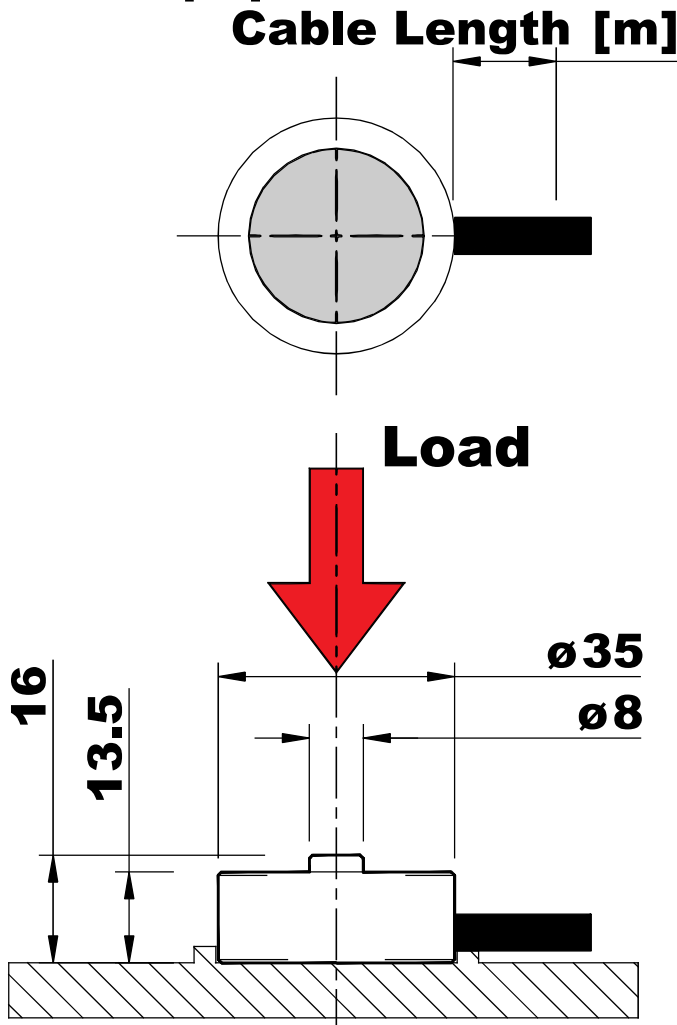
- Red : Positive Supply
- Black : Negative Supply
- Yellow or Green : Signal -
- White : Signal +
- Shield : Not connected

Code: **MC0** double channel

**M12 plug**

- 1: Positive Supply 1
- 2: Negative Supply 1
- 3: Signal 1+
- 4: Signal 1-
- 5: Positive Supply 2
- 6: Negative Supply 2
- 7: Signal 2+
- 8: Signal 2-

### Dimensions [mm]



Product image for illustration purposes only

BPE Electronics reserves the right to modify the technical data anytime, without advice

TC35 v.1.05 2016

### Accessories

Type	Description	Code	Notes
Counterpart Connector	M12 receptacle connector: loose connector with 8pin, screw terminals.	7.003.065	