



- Made of stainless steel
- Electrical connection with 5.0 m shielded cable 4xAWG24 for single channel transducer

On request:

- Double channel version suitable for PL d (EN13849-1) systems
- Special finishes and materials
- Load cell amplifier (to be ordered separately): BPE «ADS-200 MkII» series

Typical fields of application: Normally used to measure suspended loads, rope loads or loads in generic mobile machines

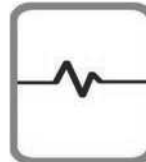
Note: the user/installer is responsible for evaluating the values and, thus, the safety of the application



Output Sensitivity



Protection Grade IP67



Single channel

Technical data

Power supply	from 0 to 15 V _{DC}
Output	1.0 mV/V
Nominal load	from 6500 daN to 12000 daN
Linearity, repeatability, hysteresis	± 1% FS
Zero offset	± 1% FS
FS and zero temperature coefficient	0.008 ⁽¹⁾ %FS / °C
Insulation	> 5 GΩ @ 15 V _{DC}
Input and output resistance	350 Ω
Safe overload	150%
Ultimate load	500%
Operating temperature	from -20 to +70 °C
Maximum weight	from 4.5 kg to 11.5 kg
Housing material	stainless steel
Standard protection grade	IP67
CE conformity	EMC Directive: 2014/30/EU
EMC: Immunity Emission	EN 61000-6-2 EN 61000-6-3
Maximum number of mechanical cycles	1x10 ⁹ cycles

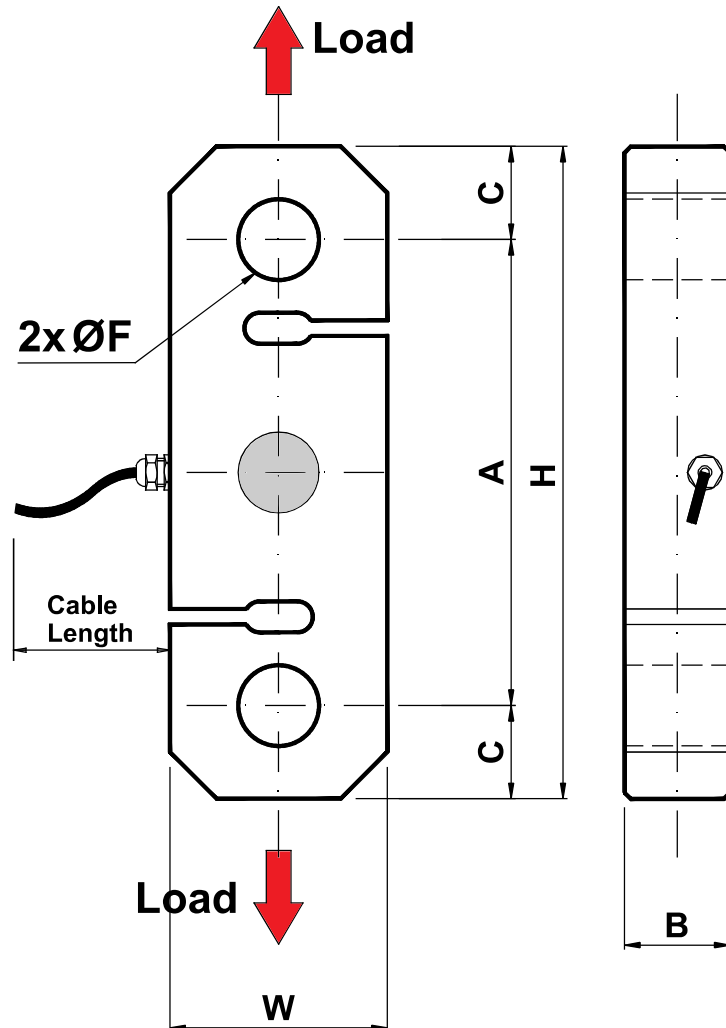
⁽¹⁾ Between -10 °C and +40 °C

Ordering Code

	TR2	06500	S	F26	34	2	1M8	L05000	NOT	CCF													
	Transducer type	Nominal load	Channels	Fixing holes	Width	Housing material	Cable gland	Cable length	Custom configuration	Electrical connection													
Nominal load	<table border="1"><tr><td>0</td><td>6</td><td>5</td><td>0</td><td>0</td></tr><tr><td>1</td><td>2</td><td>0</td><td>0</td><td>0</td></tr></table>	0	6	5	0	0	1	2	0	0	0			<table border="1"><tr><td>6500 daN</td></tr><tr><td>12000 daN</td></tr></table>	6500 daN	12000 daN							Electrical connections Code: CCF single channel Red : Positive Supply Black : Negative Supply Yellow or Green : Signal - White : Signal + Shield : Not connected
0	6	5	0	0																			
1	2	0	0	0																			
6500 daN																							
12000 daN																							
Channels	<table border="1"><tr><td>S</td></tr></table>	S			<table border="1"><tr><td>Single channel</td></tr></table>	Single channel																	
S																							
Single channel																							
Fixing holes	<table border="1"><tr><td>F</td><td>2</td><td>6</td></tr><tr><td>F</td><td>3</td><td>6</td></tr></table>	F	2	6	F	3	6			<table border="1"><tr><td>Fixing holes diameters 26 mm (6500 daN nominal load)</td></tr><tr><td>Fixing holes diameters 36 mm (12000 daN nominal load)</td></tr></table>	Fixing holes diameters 26 mm (6500 daN nominal load)	Fixing holes diameters 36 mm (12000 daN nominal load)											
F	2	6																					
F	3	6																					
Fixing holes diameters 26 mm (6500 daN nominal load)																							
Fixing holes diameters 36 mm (12000 daN nominal load)																							
Width	<table border="1"><tr><td>3</td><td>4</td></tr><tr><td>5</td><td>0</td></tr></table>	3	4	5	0			<table border="1"><tr><td>Width 34 mm (6500 daN nominal load)</td></tr><tr><td>Width 50 mm (12000 daN nominal load)</td></tr></table>	Width 34 mm (6500 daN nominal load)	Width 50 mm (12000 daN nominal load)													
3	4																						
5	0																						
Width 34 mm (6500 daN nominal load)																							
Width 50 mm (12000 daN nominal load)																							
Housing material	<table border="1"><tr><td>2</td></tr></table>	2			<table border="1"><tr><td>Stainless steel</td></tr></table>	Stainless steel																	
2																							
Stainless steel																							
Cable gland	<table border="1"><tr><td>1</td><td>M</td><td>8</td><td></td></tr></table>	1	M	8				<table border="1"><tr><td>With one M8 cable gland</td></tr></table>	With one M8 cable gland														
1	M	8																					
With one M8 cable gland																							
Cable length	<table border="1"><tr><td>L</td><td>0</td><td>5</td><td>0</td><td>0</td><td>0</td></tr></table>	L	0	5	0	0	0			<table border="1"><tr><td>5 m standard cable length</td></tr></table>	5 m standard cable length												
L	0	5	0	0	0																		
5 m standard cable length																							
Custom configuration	<table border="1"><tr><td>N</td><td>O</td><td>T</td></tr></table>	N	O	T			<table border="1"><tr><td>Not amplified signal</td></tr></table>	Not amplified signal															
N	O	T																					
Not amplified signal																							
Electrical connection	<table border="1"><tr><td>c</td><td>a</td><td>b</td></tr></table>	c	a	b			<table border="1"><tr><td>Electrical wiring harness code (see on the right)</td></tr></table>	Electrical wiring harness code (see on the right)															
c	a	b																					
Electrical wiring harness code (see on the right)																							

Custom configurations are available on request.

Main dimensions [mm]



Load	ØF	H	A	C	W	B	Lc
6500	26	210	150	30	70	34	5000
12000	36	270	186	42	100	50	5000

