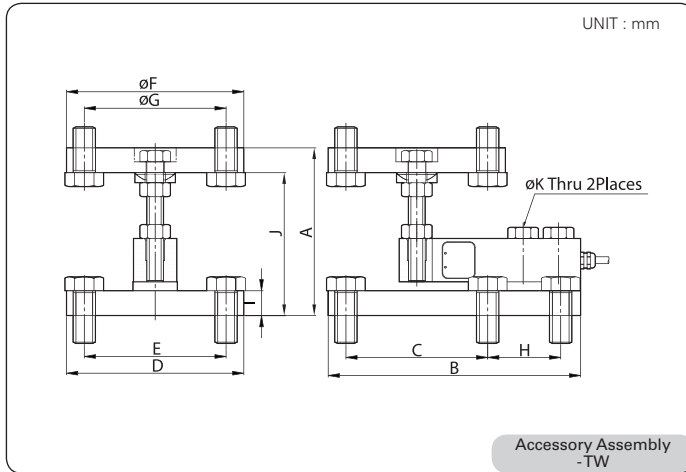


# BSA

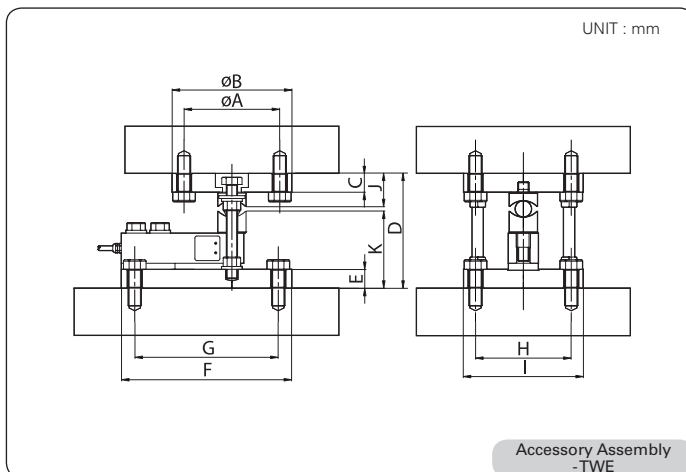
## Shear Beam Load Cell



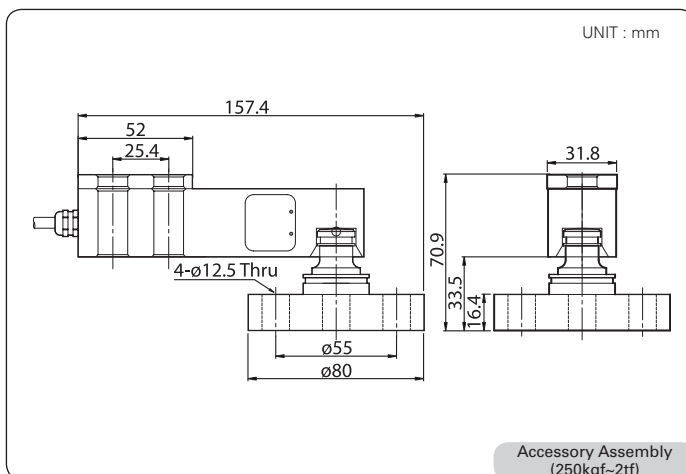
### ● DIMENSION



Capa.	A	B	C	D	E	F	G	H	I	J	K
250kgf	101.6	180.9	101.6	101.6	101.6	127	101.6	52.3	17.8	83.8	M16
500kgf	~114.3	180.9	101.6	101.6	101.6	127	101.6	52.3	17.8	~96.5	M16
1tf											
2tf											
3tf	127.0	215.9	101.6	101.6	101.6	127	101.6	82.5	23.9	103.1	M16
5tf	~140.0	215.9	101.6	101.6	101.6	127	101.6	82.5	23.9	~116.1	M16



Capa.	A	B	C	D	E	F	G	H	I	J	K	L
250kgf	101.6	127	20	121.8	20	180.9	152.3	101.6	127	35	81.4	M16
500kgf	101.6	127	20	121.8	20	180.9	152.3	101.6	127	35	81.4	M16
1tf												
2tf												
3tf	101.6	127	26	154.6	24	215.9	184.1	101.6	127	45	94.6	M16
5tf	101.6	127	26	154.6	24	215.9	184.1	101.6	127	45	94.6	M16



SINGLE POINT  
BENDING & SHEAR  
S-BEAM  
CANISTER  
PANCAKE & MINITURE  
TRUCK & TANK WEIGHING  
SPECIAL APPLICATION