

各种案秤
All kinds of platform scales,

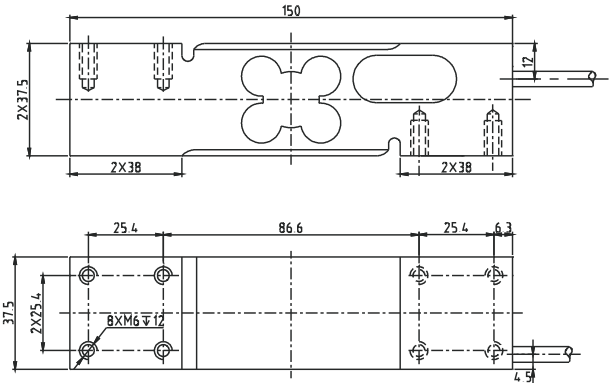
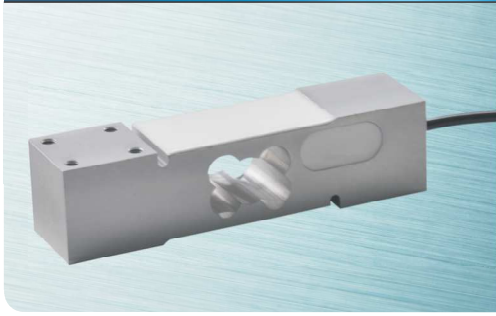
TECHNICAL PARAMETER

4Wires:Exc+(红,Red);Exc-(黑,Black);Sig+(绿,Green);Sig-(白,White)

额定载荷 Rated load	5,6,8,10,15,20,30,35,40kg	额定温度 Nominal Temp Range	-10~+40°C
精度等级 Accuracy class	C3	工作温度范围 Service Temp Range	-20~+60°C
灵敏度 Sensitivity	2.0 ± 0.2mV/V	安全负载 Safe load limit	150%F.S
线性误差 Non-linearity	± 0.02%F.S	破坏负载 Breaking load	200%F.S
滞后误差 Hysteresis error	± 0.02%F.S	额定激励电压 Nominal of range excitation	10~12V DC
蠕变 (30分钟) Creep(30min)	± 0.02%F.S	密封等级 Protection Class	IP65
零点温度影响 TC ZERO	± 0.02%F.S/10°C	材料 Material	铝合金 Aluminium
灵敏度温度影响 TC SPAN	± 0.02%F.S/10°C	电缆 Cable	Length:0.5m
输入阻抗 Input resistance	404 ± 15 Ω		Diameter: Φ5mm
输出阻抗 Output resistance	350 ± 3 Ω	推荐最大安装台面 Max.platform size	300X300mm
绝缘电阻 Insulation resistance	≥2000 MΩ		

AMI Load cell

AMI



各种台秤
All kinds of platform scales,

TECHNICAL PARAMETER

额定载荷 Rated load	50,60,100,150,200,250,300,500kg	绝缘电阻 Insulation resistance	≥2000 MΩ
精度等级 Accuracy class	C3	额定温度 Nominal Temp Range	-10~+40℃
灵敏度 Sensitivity	2.0 ± 0.2mV/V	工作温度范围 Service Temp Range	-20~+60℃
线性误差 Non-linearity	± 0.02%F.S	安全负载 Safe load limit	150%F.S
滞后误差 Hysteresis error	± 0.02%F.S	破坏负载 Breaking load	200%F.S
蠕变 (30分钟) Creep(30min)	± 0.02%F.S	额定激励电压 Nominal of range excitation	10~12V DC
零点温度影响 TC ZERO	± 0.02%F.S/10℃	密封等级 Protection Class	IP65
灵敏度温度影响 TC SPAN	± 0.02%F.S/10℃	材料 Material	铝合金 Aluminium
输入阻抗 Input resistance	404 ± 15Ω	电缆 Cable	Length:1.8m
输出阻抗 Output resistance	350 ± 3Ω	推荐最大安装台面 Max.platform size	400X400mm

4Wires:Exc+(红,Red);Exc-(黑,Black);Sig+(绿,Green);Sig-(白,White)