

## Digital Compression Load Cell

### FEATURES

- Capacities: 20, 25, 30, 35, 40 and 50 t
- Self-aligning, stainless steel single column
- Welded seal, IP66/IP68/IP69K
- Certified to OIML (25 t to 50 t)
- Built-in surge protection
- RS485/RS422 2-wire, half-duplex
- Built-in overload detection
- **Optional**
  - 4-wire, full-duplex

### APPLICATIONS

- Weighbridges
- Silo hopper weighing

### DESCRIPTION

The DSC2 is a stainless steel compression load cell with a digital output.

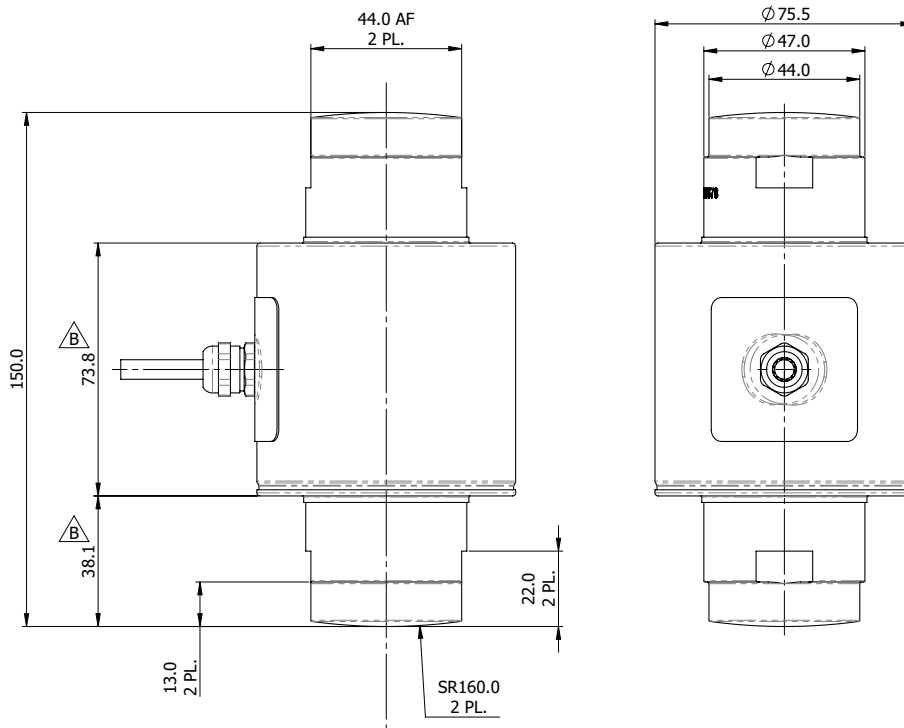
This digital output enables the user to communicate with each DSC2 independent of the others in the system, thus offering advantages in system setup, system control, corner correction, fault finding and load cell replacement.



This product is suitable for use in road and rail weighbridges and process weighing applications.

The welded construction and built-in surge protection ensure that this product can be used successfully in harsh environments.

### OUTLINE DIMENSIONS in millimeters



#### Cable Specifications

Cable length: 15m

#### Standard Half Duplex:

V In Pos	Green
V In Neg	Black
TX	Red
RX	Gray

#### Optional Full Duplex:

V In Pos	Green
V In Neg	Black
TX	Red
TX n	White
RX	Gray
RX n	Blue

Braided shield  
Shield is a bare twisted braid

## Digital Compression Load Cell

SPECIFICATIONS								
PARAMETER	VALUE							UNIT
VPG Accuracy class	I3 (NTEP) <sup>1</sup>	F3	G5	G3	G2	G1	H3 <sup>2</sup>	
Minimum utilization	33	33	50	30	20	12	33	% of R.C.
NTEP Accuracy class/ n <sub>max</sub>	IIIL/10000 Multiple							
OIML Accuracy class <sup>3</sup>		C2	C3	C3MR10	C3MR15	C3MR25	C4MR12	
Maximum no. of intervals (n)		2000	3000	3000	3000	3000	4000	
Rated capacity—R.C. (E <sub>max</sub> )	20, 30, 40, 50	20 <sup>3</sup> , 25, 30, 35, 40, 50						t
Rated output—R.O.	200,000							Counts
Rated output tolerance	Standard: 160; Optional: 30							±Counts
Zero balance	1600							±Counts
Creep (30 min.)	0.050	0.025	0.025	0.025	0.025	0.025	0.018	±% of load
Zero return (30 min.)	0.015	0.025	0.017	0.017	0.017	0.017	0.0125	±% of load
Total Error	0.030	0.030	0.020	0.020	0.020	0.020	0.015	±% of R.O.
Temperature effect on output	0.0012	0.0012	0.0012	0.0012	0.0012	0.0012	0.00075	±% of load/°C
Temperature effect on zero	0.0016	0.0026	0.0026	0.0016	0.0010	0.00064	0.0013	±% of R.O./°C
Y = E <sub>max</sub> /V <sub>min</sub>	30000	6000	6000	10000	15000	25000	12000	
Temp. range, compensated	-10 to +40							°C
Temp. range, safe	-40 to +70							°C
Temp. range, storage	-50 to +90							°C
Maximum safe static overload	150							% of R.C.
Ultimate static overload	300							% of R.C.
Supply, recommended	12							VDC
Supply, range	8–24							VDC
Current, max.	50							mA
Resolution	18							Bit (at 1 Hz)
Signal update per second	1/10/20/40/67/100/200							Samples/s
Baud rate	1200–115200							bits/s
Transmission type	Serial asynchronous data transmission							
Protocol type	Non-standard ASCII multi-drop							
Number of network address	32							
Data error detection	Odd/even parity, checksum							
Encryption	None/custom							
Data transmission interface	<b>Standard:</b> RS485/RS422 (2-wire, half-duplex) <b>Optional:</b> RS485/RS422 (4-wire, full-duplex)							
Cable length	<b>Standard:</b> 15 (49); <b>Max:</b> 100 (328)							m (ft)
Max. transmission cable length	1200							m
Cable type	Braided shield, 26 AWG, polyurethane jacket							
Construction	Stainless steel, welded seal							
Environmental protection	IP66/IP68 (1m@100h)/IP69K							
Outline dimensions DWG.	294.000.00-3							

<sup>1</sup> Class I3 (NTEP) is NTEP class IIIL approved.<sup>2</sup> Class H3 is not OIML approved.<sup>3</sup> Rated capacity 20 t is not OIML approved.

All specifications subject to change without notice.



## Disclaimer

ALL PRODUCTS, PRODUCT SPECIFICATIONS AND DATA ARE SUBJECT TO CHANGE WITHOUT NOTICE.

Vishay Precision Group, Inc., its affiliates, agents, and employees, and all persons acting on its or their behalf (collectively, "VPG"), disclaim any and all liability for any errors, inaccuracies or incompleteness contained herein or in any other disclosure relating to any product.

The product specifications do not expand or otherwise modify VPG's terms and conditions of purchase, including but not limited to, the warranty expressed therein.

VPG makes no warranty, representation or guarantee other than as set forth in the terms and conditions of purchase. **To the maximum extent permitted by applicable law, VPG disclaims (i) any and all liability arising out of the application or use of any product, (ii) any and all liability, including without limitation special, consequential or incidental damages, and (iii) any and all implied warranties, including warranties of fitness for particular purpose, non-infringement and merchantability.**

Information provided in datasheets and/or specifications may vary from actual results in different applications and performance may vary over time. Statements regarding the suitability of products for certain types of applications are based on VPG's knowledge of typical requirements that are often placed on VPG products. It is the customer's responsibility to validate that a particular product with the properties described in the product specification is suitable for use in a particular application. You should ensure you have the current version of the relevant information by contacting VPG prior to performing installation or use of the product, such as on our website at [vpgsensors.com](http://vpgsensors.com).

No license, express, implied, or otherwise, to any intellectual property rights is granted by this document, or by any conduct of VPG.

The products shown herein are not designed for use in life-saving or life-sustaining applications unless otherwise expressly indicated. Customers using or selling VPG products not expressly indicated for use in such applications do so entirely at their own risk and agree to fully indemnify VPG for any damages arising or resulting from such use or sale. Please contact authorized VPG personnel to obtain written terms and conditions regarding products designed for such applications.

Product names and markings noted herein may be trademarks of their respective owners.

Copyright Vishay Precision Group, Inc., 2014. All rights reserved.